

Sometimes it's
nice to be on
your own



Svan Balance – designed for the whole family



An aid should be easy to use, whether or not you are disabled. Svan Balance has been designed and built to provide support for short, mobility-impaired people without getting in the way of other members of the family. Svan Balance allows you to switch rapidly from a secure support for a disabled child to an easily accessible lavatory for both parents.

With its modern design and carefully chosen materials, Svan Balance is neat, durable and easy to use.



Sometimes it's nice to be on your own

There can be few occasions when it feels better to be alone than when you're sitting on the lavatory. Small children quickly develop into small people who need their personal space. Not being able to go to the lavatory by yourself is nothing to be ashamed of. Not everyone can manage it. However, Svan Balance enables many more people to do so without resorting to complicated and unwieldy aids. Svan Balance allows children and short people to sit securely, which in many cases means they can manage by themselves. Sometimes it's nice to be on your own.



➤ Easy for all the family

No loose parts or seats that have to be moved. Svan Balance makes it easy for all the family to use the lavatory.

➤ Adjustable height

The armrests can easily be adjusted to three different heights, to provide the right support for children and short people. The footrest can be adjusted to four different heights, so you can easily ensure proper leg support. The height is adjusted using a simple handle, with no tools required.

➤ Carefully chosen materials

To withstand the bathroom environment without corroding, Svan Balance is made from coated stainless steel. The armrests are padded for optimum comfort.

➤ Easy to clean

Svan Balance is easy to keep clean. It is easily accessible and has smooth surfaces with very few protrusions. Its slimline design also makes it easy to keep the area around the lavatory clean.

➤ Easy to install

Svan Balance and the associated lavatory seat can be installed quickly in the holes at the rear of the lavatory.

➤ Support and balance while you move

Svan Balance also assists wheelchair and walking-frame users to get on and off the lavatory seat. On the models with straight armrests and grab rails, the grab rails can be folded out in front of the seat. With the grab rails right next to you at the correct height, it's easier to get up and move. The rails, which provide a firm grip at your chosen height, also assist you in dressing and undressing. What's more, the rails can be turned to provide firm support in front of you when you sit down.

TECHNICAL DATA



- Model 1:** art. nr. 10 101
- Armrest straight, 425 mm between the armrests
 - Footrest
 - Frame and toilet seat



- Model 2:** art. nr. 10 102
- Armrest straight, 425 mm between the armrests
 - Footrest
 - Support handles
 - Frame and toilet seat



- Model 3:** art. nr. 10 103
- Armrest straight, 425 mm between the armrests
 - Support handles
 - Frame and toilet seat
 - Footrest substitute



- Model 7:** art. nr. 10 107
- Armrest surrounding, 425 mm
 - Footrest
 - Frame and toilet seat



- Model 8:** art. nr. 10 108
- Armrest surrounding, 425 mm
 - Frame and toilet seat
 - Footrest substitute



- Model 4:** art. nr. 10 104
- Armrest duo, 350 alt. 500 mm between the armrests
 - Footrest
 - Frame and toilet seat



- Model 5:** art. nr. 10 105
- Armrest duo, 350 alt. 500 mm between the armrests
 - Footrest
 - Support handles
 - Frame and toilet seat



- Model 6:** art. nr. 10 106
- Armrest duo, 350 alt. 500 mm between the armrests
 - Support handles
 - Frame and toilet seat
 - Footrest substitute



- Model 9:** art. nr. 10 109
- Armrest duo mini, 350 alt. 500 mm between the armrests
 - Footrest
 - Frame and toilet seat



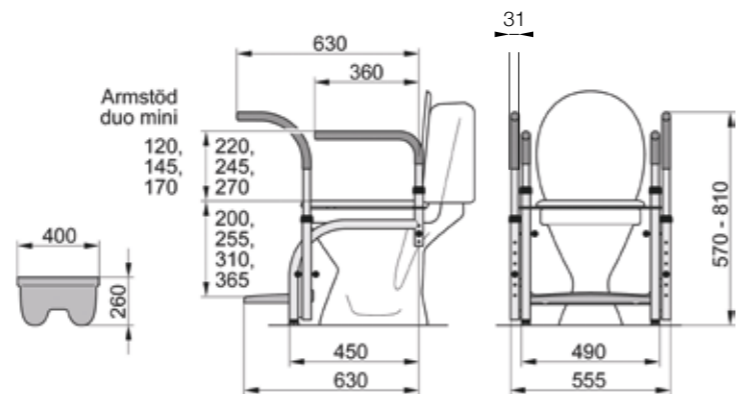
- Model 10:** art. nr. 10 110
- Armrest duo mini, 350 alt. 500 mm between the armrests
 - Footrest
 - Support handles
 - Frame and toilet seat

Components:

- Frame art. nr. 10 002
- Toilet seat standard art. nr. 10 041
- Armrest straight, pair art. nr. 10 052
- Armrest duo, pair art. nr. 10 053
- Armrest surrounding, pair art. nr. 10 051
- Armrest duo mini, pair art. nr. 10 084
- Support handles, pair art. nr. 10 054
- Footrest art. nr. 10 039
- Footrest substitute art. nr. 10 038

Technical information

- Powder coated stainless steel.
- Rubber parts – polyurethane.



Max weight:

- Armrest 130 kg, support handles 130 kg, footrest 60 kg

ACCESSORIES

For more accessories and components, visit www.svancare.se.



TABLE-TOP
ART. NO. 10 126
600 x 315 mm



TABLE-TOP
ART. NO. 10 127
600 x 315 mm



FRAME EXTENDER
ART. NO. 10 087
Rise 65 mm
Pair



TOILET SEAT
– standard
ART. NO. 10 041
Inner-dimension
W. 225 mm
L. 273 mm.



ISC PLATE
ART. NO. 10 542
W. 170 mm
L. 340 mm



ISC BACKING
ART. NO. 10 515
W. 90 mm
L. 160 mm



CATHETER HOLDER
ART. NO. 10 538
Catheter holder
including tube
ART. NO. 10 540



ASSISTENT STOOL
ART. NO. 10 541



HOLE REDUCER
– median, plane.
ART. NO. 10 046
W. 170 mm
L. 262 mm



HOLE REDUCER
– small, plane.
ART. NO. 10 047
W. 143 mm
L. 255 mm



HOLE REDUCER
– extra small.
ART. NO. 10 050
W. 140 mm
L. 163 mm



HOLE REDUCER
– small with raised edges.
ART. NO. 10 049
W. 146 mm
L. 193 mm



BACK CUSHION
ART. NO. 10 035
H. 250 mm
W. 360 mm
D. 100 mm



SOFT SEAT
BLUE: ART. NO. 10 399
WHITE: ART. NO. 10 398
Inner-dimension:
W. 210 mm
L. 245 mm



MINI FOOTREST
ART. NO. 10 132
H. 100 mm
W. 370 mm
D. 150 mm



BACK PAD
ART. NO. 10 095
H. 390 mm
W. 320 mm
D. 30 mm

“We aim to improve the quality of life for mobility-impaired people”

Aids should be easy to use and should function as an integral part of their surroundings. To achieve optimum functionality, we take extreme care over ergonomics, design and choice of materials. The result is not only high-quality products, but also aids designed with a holistic view of how they are used.

Svan Care has extensive experience in research and development of aids for disabled people. We work closely with the Swedish Handicap Institute, occupational therapists, physiotherapists, doctors and disabled people themselves to develop and test new aids. We aim to develop new aids that improve the quality of life for mobility-impaired people.

Business partners wanted

We're looking for dealers and agents throughout Europe.
Please contact us for more information.

