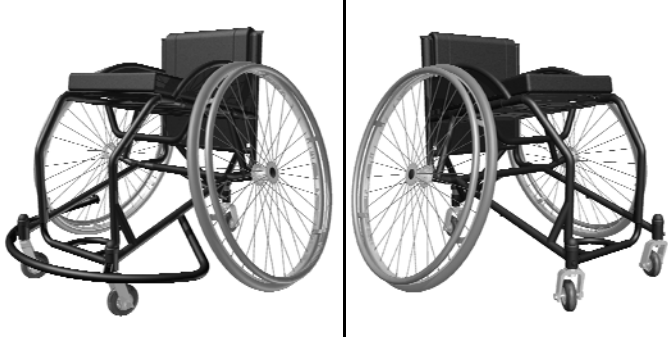


Product Summary: Multisport Wheelchair

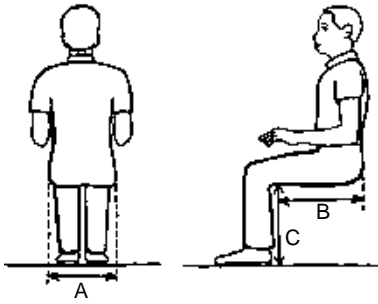
The Motivation Multisport Wheelchair is a dedicated sport wheelchair and is intended to be used for promoting and developing wheelchair sports at national or local club level.

	Motivation Multisport Wheelchair	
Product Code	WM4SP – 02	
Product Description	Dedicated sport wheelchair, with removable front toe-guard to suit a range of sports	
Manufacture	Merits (China) under licence from Motivation (UK)	
Document Issue	1	
Date of issue	29 January 2016	

Overview

- The Motivation Multisport Wheelchair is an affordable, entry level dedicated sport style wheelchair designed to be used by individuals or sport clubs, and is ideal for basketball, tennis, rugby league, handball, badminton, dance and many other activities.
- The wheelchair is available in four different widths: 300 mm (12”), 350 mm (14”), 400 mm (16”), 450 mm (18”).
- Each of the four width sizes of frame, come in a different colour, to allow quick identification of sizes for athletes and coaches, within a club environment.
- It has been designed according to the International Wheelchair Basketball Federation regulations and in conjunction with the International Tennis Federation.
- It utilises two sport mini castor wheels at the front and one sport anti- tip wheel at the rear. The wheelchair is equipped with performance sport rear wheels in order to provide good manoeuvrability on the court.
- The wheelchair has been designed so that parts are easy to replace or repair and uses common wheel and bearing sizes.
- The packaging is designed for easy disassembly for recycling or reuse.
- Every wheelchair is supplied with a single layer foam cushion. Each cushion has a cover.
- Every wheelchair comes with 4 body straps (Velcro fastening system) to provide a wide range of support options and adjustment. The straps included are: Hip strap, Knee strap, Foot strap and Ankle strap.
- Every wheelchair comes with a maintenance toolkit as standard.
- Quick release rear wheels allow for more efficient storage and transport.
- Spare parts for this product are also available for purchase from Motivation.

Product user group



- The wheelchair can be used by people with a range of mobility disabilities.
 - The chair is suitable for users whose body measurements fall within the following ranges:
 - A. Hip width: 300 mm (12") – 450 mm (18")
 - B. Buttock to back of knee: 350 mm (14") – 480 mm (19")¹
 - C. Back of knee height from bottom of feet: 450 mm (16") – 500 mm (20")²
- 1 - Backrest tension affects seat depth.
2 - with 48mm ground clearance
- Maximum user weight: 100kg (220lbs)

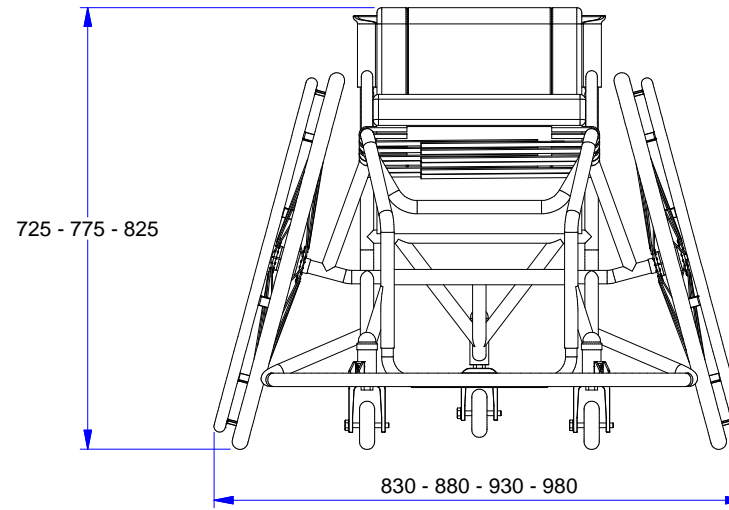
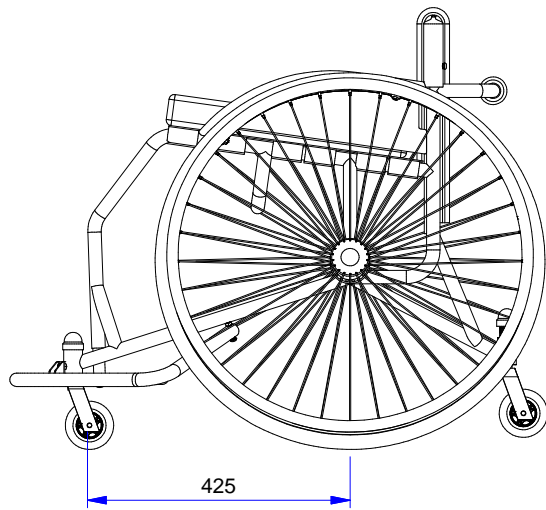
Environment

- The wheelchair has good manoeuvrability on both outdoor and indoor courts
- The wheelchair is stable and is very manoeuvrable due to its sport mini castor wheels and high pressure 15 degree camber rear wheels
- The wheelchair is robust and it withstands the challenges faced by rough sports environments.

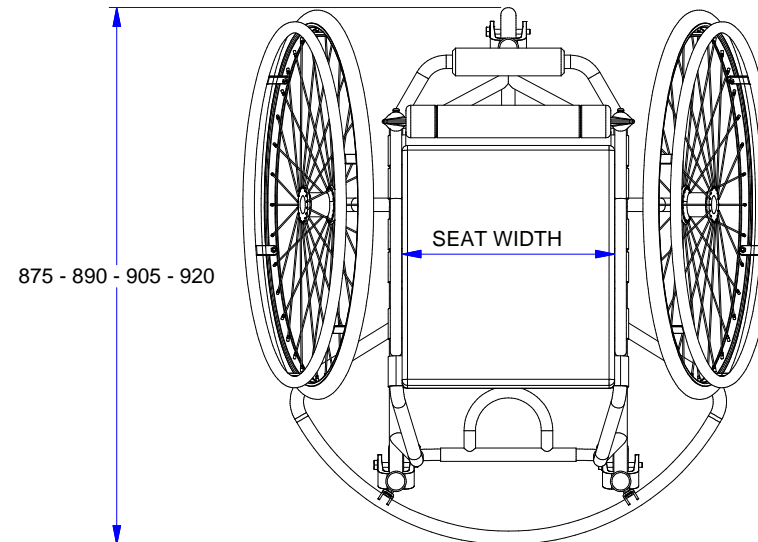
	Adjustments
Seat depth	The seat can be set to 350 mm (14"), and 400 mm (16") - dimension B in the above diagram.
Backrest height	The backrest can be set in three height positions - 250 mm (10"), 300 mm (12"), 350 mm (14"). The backrest height has been measured from the seat to the top of the backrest, without the cushion.
Footrest height	The footrest can be adjusted to three different heights – 450 mm (18"), 475 mm (19"), 500 mm (20") - dimension C in the above diagram.
Anti- tip wheel height	The anti-tip wheel height from the ground can be easily adjusted from 0 mm to 20 mm.
Straps	The Sports Wheelchair is provided with a set of straps (foot strap, ankle strap, knee strap, lap strap) that can be used according to individual's needs.

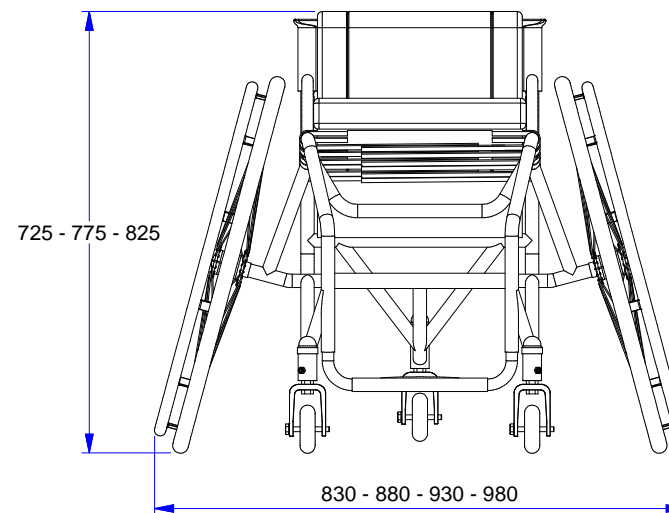
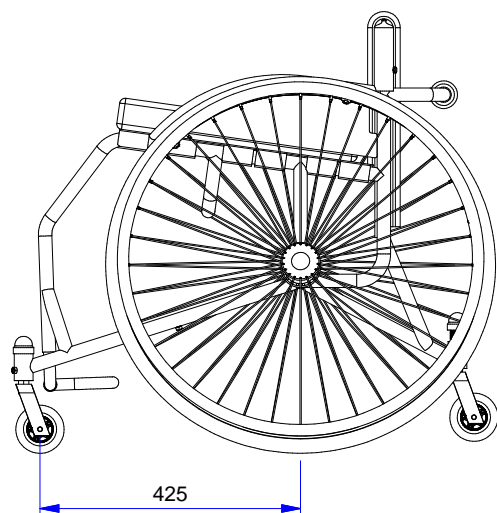
Performance specifications	
Armrests	The wheelchair is supplied with low profile curved armrests.
Backrest	Supportive fabric backrest, with tension adjustable straps, using a Velcro fastening system. Durable and water resistant nylon upholstery.
Box details	Box dimensions: 770 X 710 X 685 mm. Plain brown five ply cardboard with black printed graphics. The packaging is <i>not</i> waterproof.
Castor wheels	Two 72mm (~3") PU mini castor wheels, with aluminium fork
Anti- tip wheel	One 72mm (~3") PU mini castor wheel, with aluminium fork
Colour	Each size of wheelchair comes in a different frame colour, to allow quick identification of sizes for athletes, within a club environment. Small: Green (Aqua), Medium: Red, Large: Blue, X-Large: Black
Cushion	Single layer 50mm (2") thick foam cushion with Nylon cover. Cushion length can be cut down to any seat length, as necessary.
Disposal	The WM4SP-02 has been designed to be disassembled for re-use or recycling at the end of its serviceable life. If disposal is necessary please contact a local service provider first as they may be able to reuse parts of the wheelchair.
Lifecycle	The product is designed to provide 3 - 5 years of service, during normal use and providing it is appropriately maintained.
Pushrings	Diameter 19 mm anodized Aluminium push rings, attached to the rim in six places.
Rear wheels	26" x 1" diameter rear wheels, with 36 spoke aluminium rims. Robust 36 spoke aluminium hub with two sealed bearings and diameter 12 mm high tensile quick release 'push-button' style axles.
Seat	Slung fabric seat upholstery, with tension adjustable straps (Velcro fastening system). Water resistant nylon upholstery supplied with single layer foam cushion.
Standards	This product is ISO 9001 (2008- 2013) and ISO 13845 (2008- 2013) certified and has the CE mark so meets EU consumer requirements.
Straps	One foot strap, one ankle strap, one knee strap and one lap strap are supplied with the chair. All the straps have built-in adjustability with the Velcro fastening system.
Transport / storage	The rear wheels can be quickly removed, for product storage and transportation.
Tyres	Pneumatic – high pressure, low profile sport tyres.
Weight	Current net weight of wheelchair approx: 15 kg





SEAT WIDTH	
SIZE	MM
S	300
M	350
L	400
XL	450





SEAT WIDTH	
SIZE	MM
S	300
M	350
L	400
XL	450

